

Series DA



Every component precisely matched

Powerful rotary actuator

Our rotary actuators are used to convert a pressure into a rotary motion. They are used for on/off as well as control valves with rotary movement. The actuators enable considerable torques within a short positioning time. Various sizes and torques can be manufactured according to your needs.

Mounting for accessories according to VDI-VDE 3845

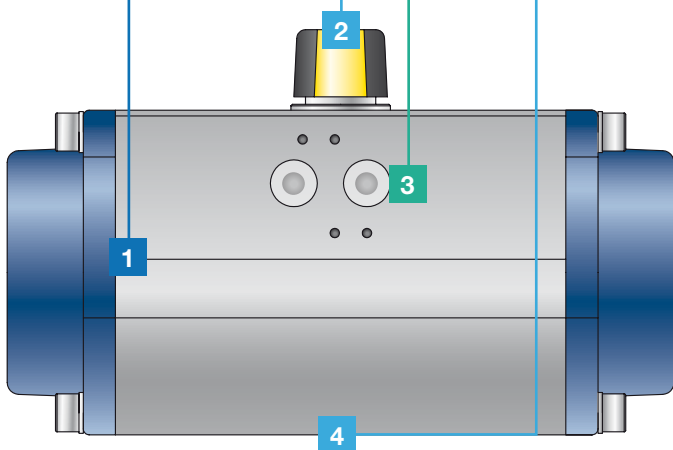
The optical position indicator comes as standard. Positioning controllers or limit switch boxes can be easily installed.

NAMUR interface VDI-VDE 3845

Standardized interface for simple mounting of solenoid valves or filter reduction stations.

ISO mounting flange 5211

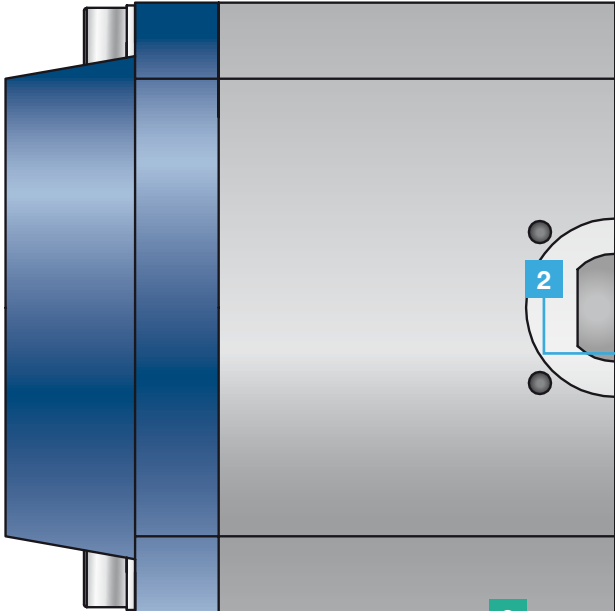
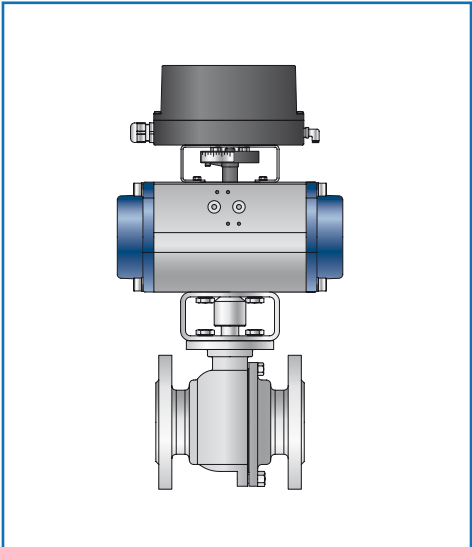
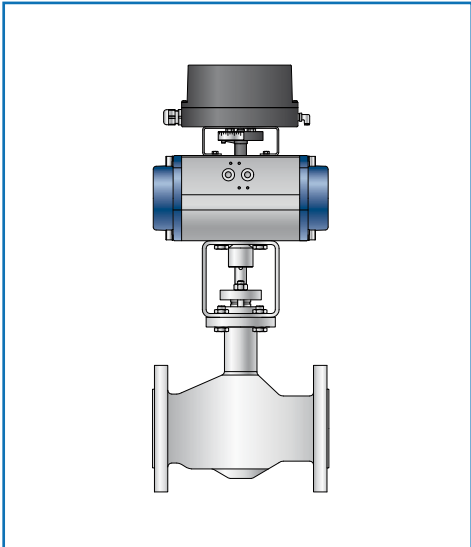
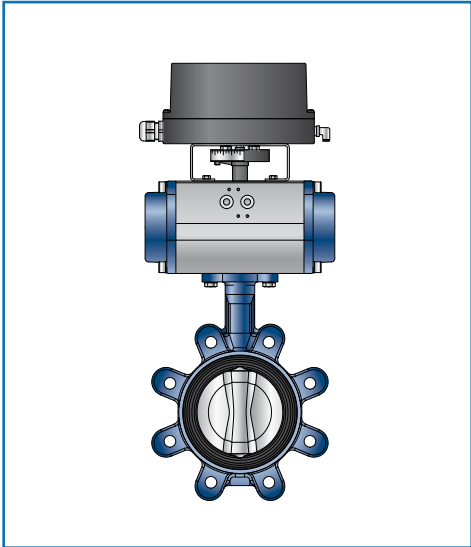
The actuators are flanged directly or via a bracket to the rotary valve. Force transmission takes place by a form-locked joint through a fitted key or washer. Optionally, a manual override can be mounted.



Applications

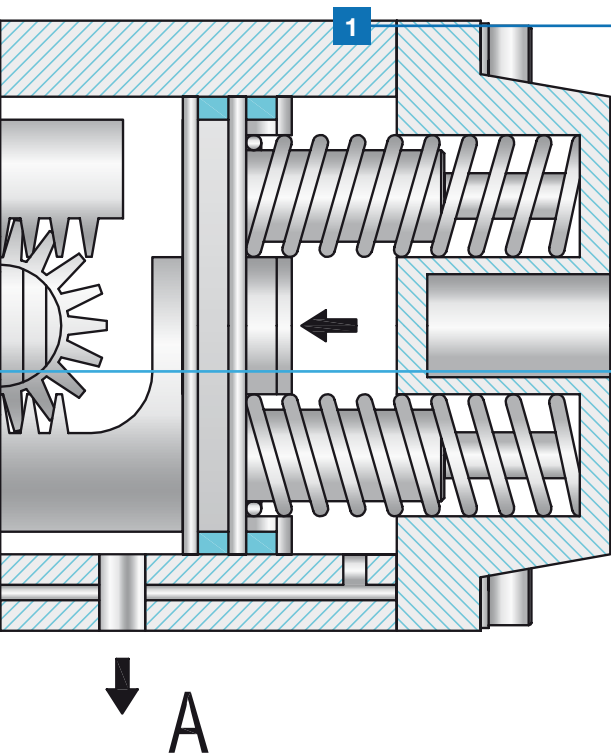
- Butterfly valves
- Rotary valves
- Ball valves

Application examples



3

B

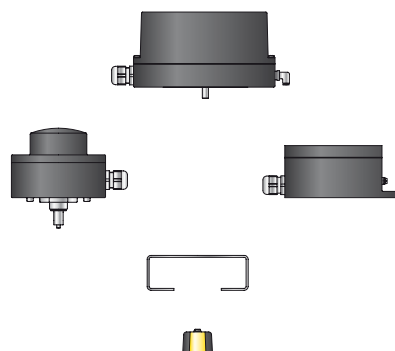


Powerful actuator

- Body and cover are made of coated cast aluminum as standard
- Proven pinion/rack design
- Fine internal machined cylinder surfaces
- Various rotation angles can be realized
- Version as single or double acting

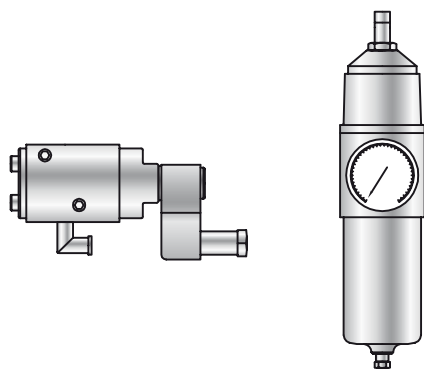
Mounting for accessories

- Mechanical position indicator
- Limit switch box
- Positioner



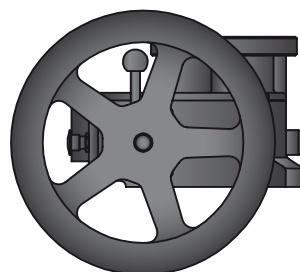
NAMUR interface

- Mounting of solenoid valves
- Filter reducing station



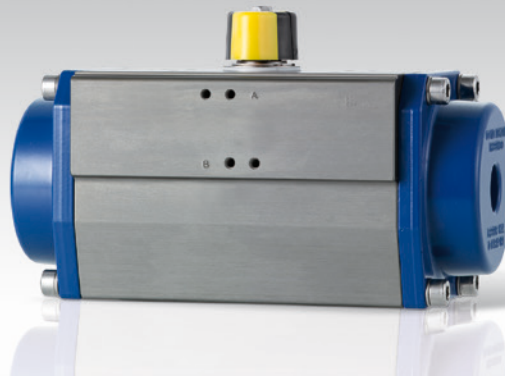
ISO mounting flange

- Manual override



Series DA

Standard version



Features	Advantages
Heavy duty design	<ul style="list-style-type: none">● Also suitable for rough conditions
Fine internal machined cylinder surfaces	<ul style="list-style-type: none">● Low wear● Long service life
Interchangeability of components	<ul style="list-style-type: none">● Low operating expenses
Modular design	<ul style="list-style-type: none">● Wide variety of combinations<ul style="list-style-type: none">– Different actuator sizes– Many rotation angles possible
Bracket acc. to ISO	<ul style="list-style-type: none">● Easily adaptable to all rotary valves● Easy mounting of positioners, limit switch boxes and other accessories
Air to open (Po) Air to close (Ps) Double acting (Pos)	<ul style="list-style-type: none">● Ideal adaptation to your operating conditions

Series DA

General data	
Series	DA
Function	single acting or double acting
Actuating pressure	min. 1 bar – max. 10 bar
Torques	20 Nm to 10'025 Nm at 6 bar actuating pressure
Rotary angle	0 to 90°
Air	filtered compressed air, dry or oiled
Ambient temperature	–20°C to +80°C